

## Remote Cable kit Option SV-iG5



### Before use

Pay attention to the following instructions. Failure to do so can result in damage of option and/or electrical shock.

#### Caution

- CMOS components of this option can be damaged by the static electricity. Handle carefully.
- Do not change the communication wire connection when the inverter is power-on status.
- Make sure the connection between inverter and "Connection interface board".
- Do not change the direction of each end of the connection wire. They are NOT compatible.

### 1. Introduction

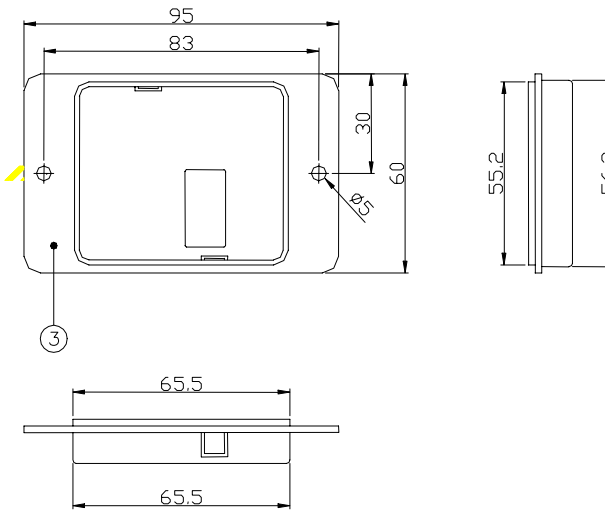
This manual describes how to use remote cable kit. Neglecting the procedure of this guidance of this manual may cause a damage in the related other devices and machine.

### 2. Configuration:

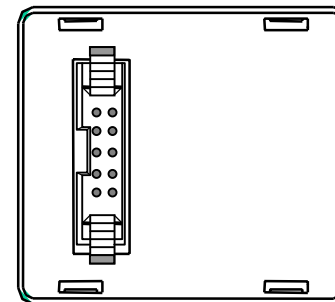
One Remote cable kit is composed of Keypad mounting fixture (loader panel), Connection interface on inverter side and Cable.

#### 2.1 Configurations

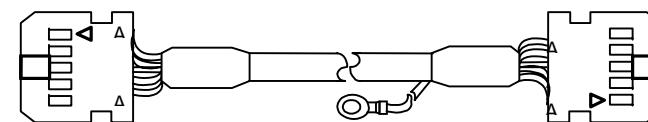
##### Keypad mounting fixture(loader panel)



##### Connection interface on inverter side



##### Cable (2 meter, 3 meter, 5 meter)

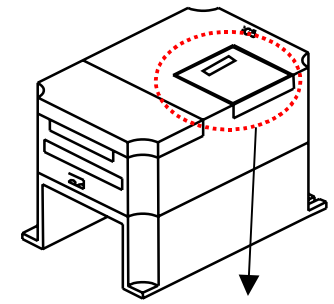


#### 2.2 LGIS code

Code	Description
053030004	SV-iG5 REMOTE 2M
053030005	SV-iG5 REMOTE 3M
053030006	SV-iG5 REMOTE 5M

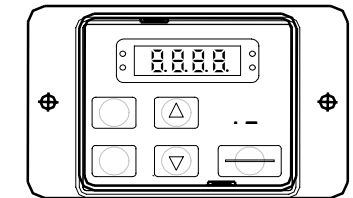
### 3. Installation

Remove keypad from inverter and put Connection interface into the same position where the keypad was placed.



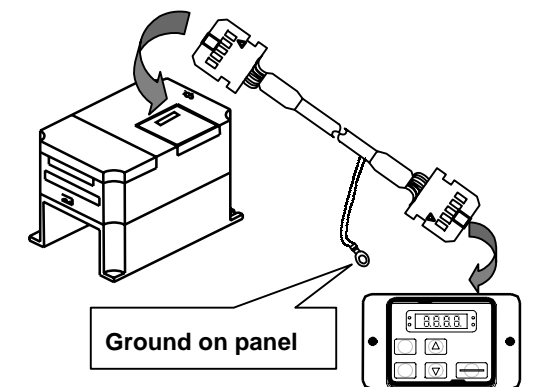
Switch from keypad to Connection

Put the keypad into keypad fixture.



Put a connector of cable(end without green wire) into a connector of connection interface.

Put a connector of cable(end with green wire) into a connector of keypad. (Green cable is ground)



#### Caution)

Do not use any cable or connector that is not provided by us.