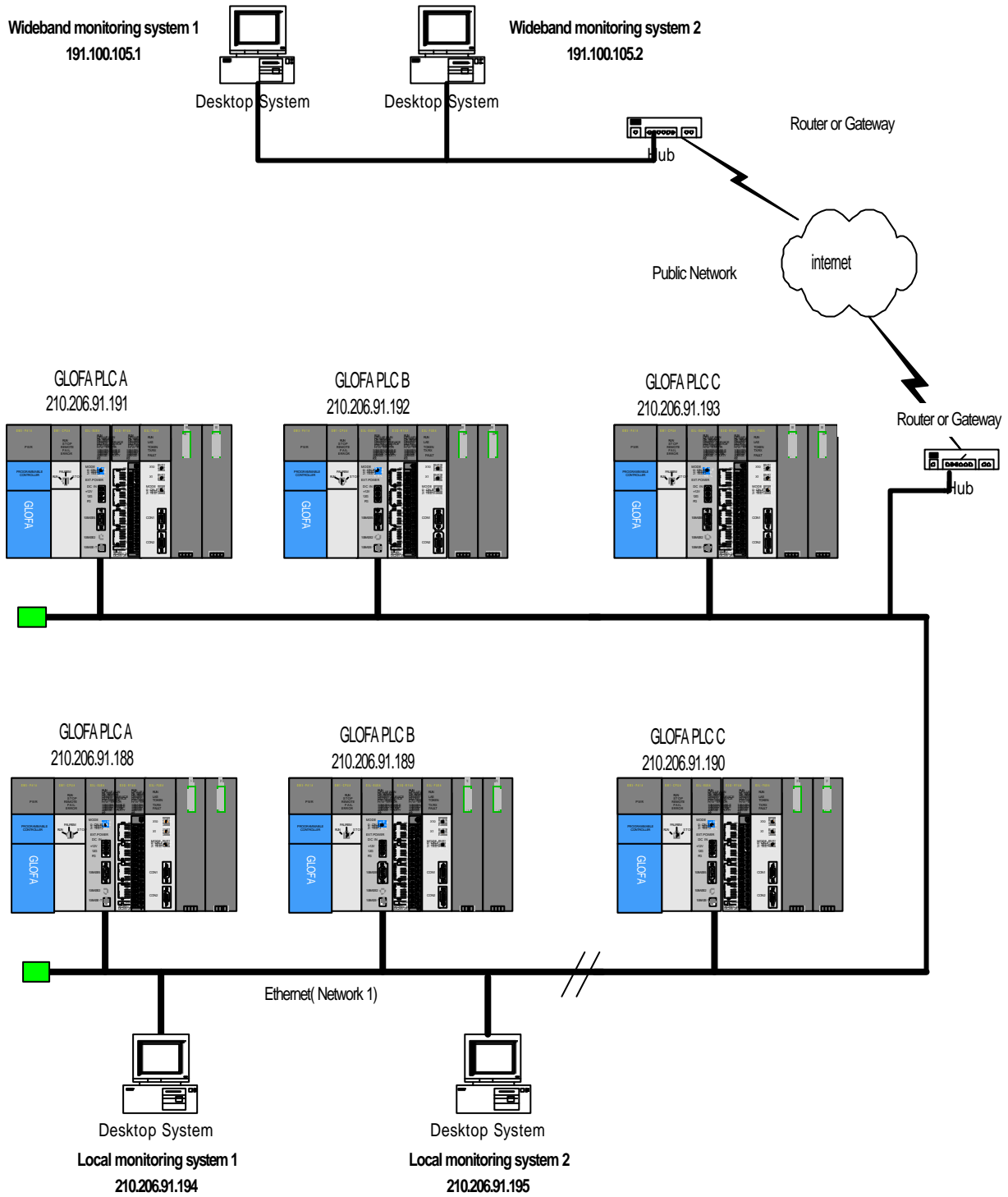
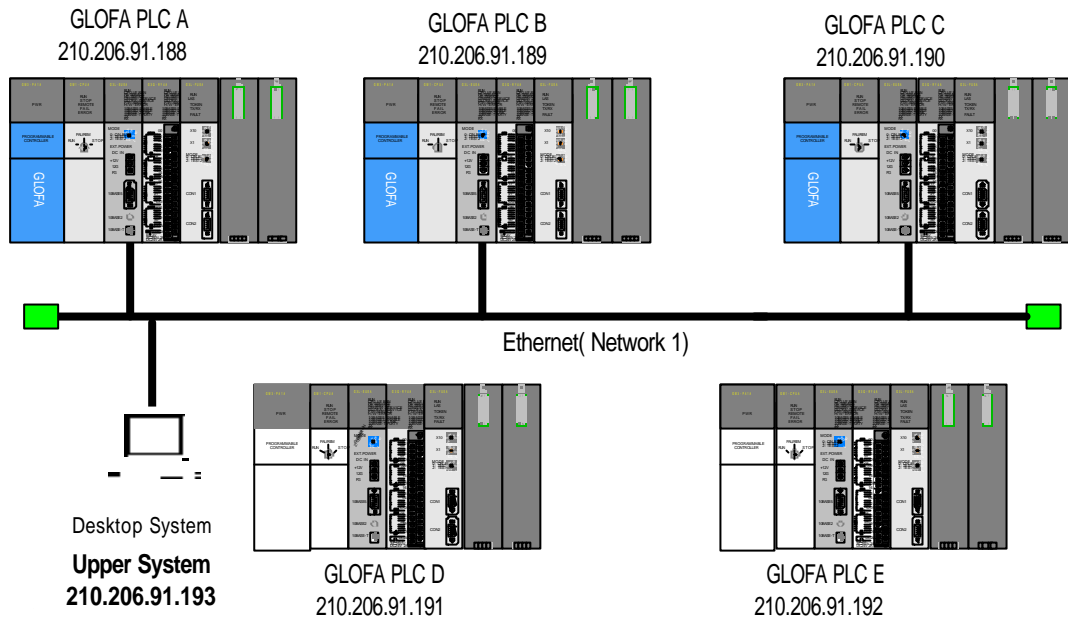


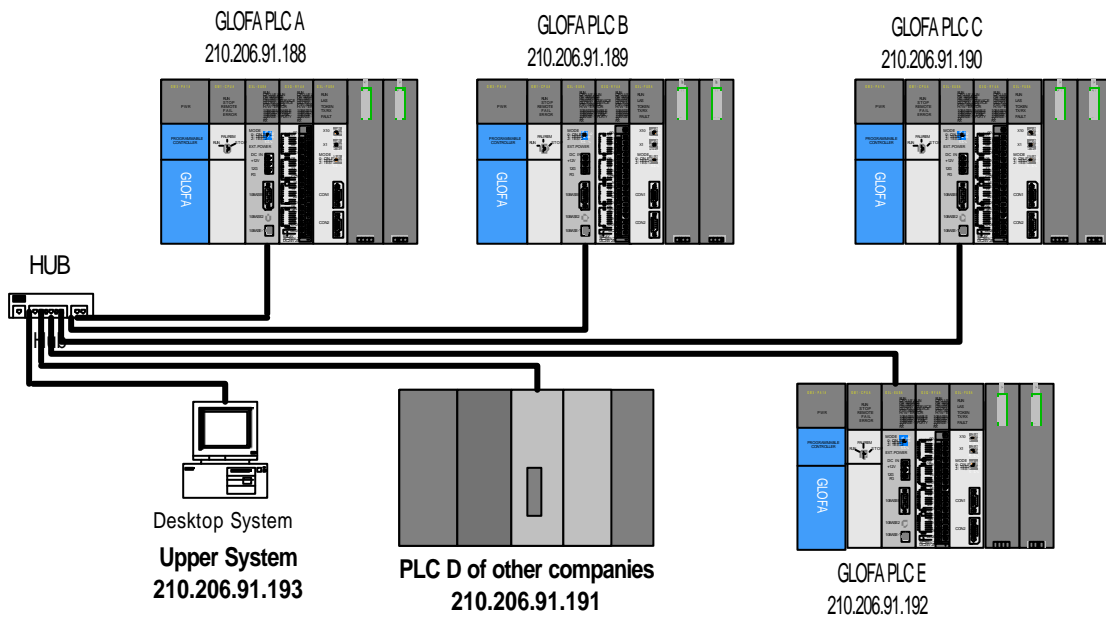
5.2 GLOFA PLC Ethernet Network System



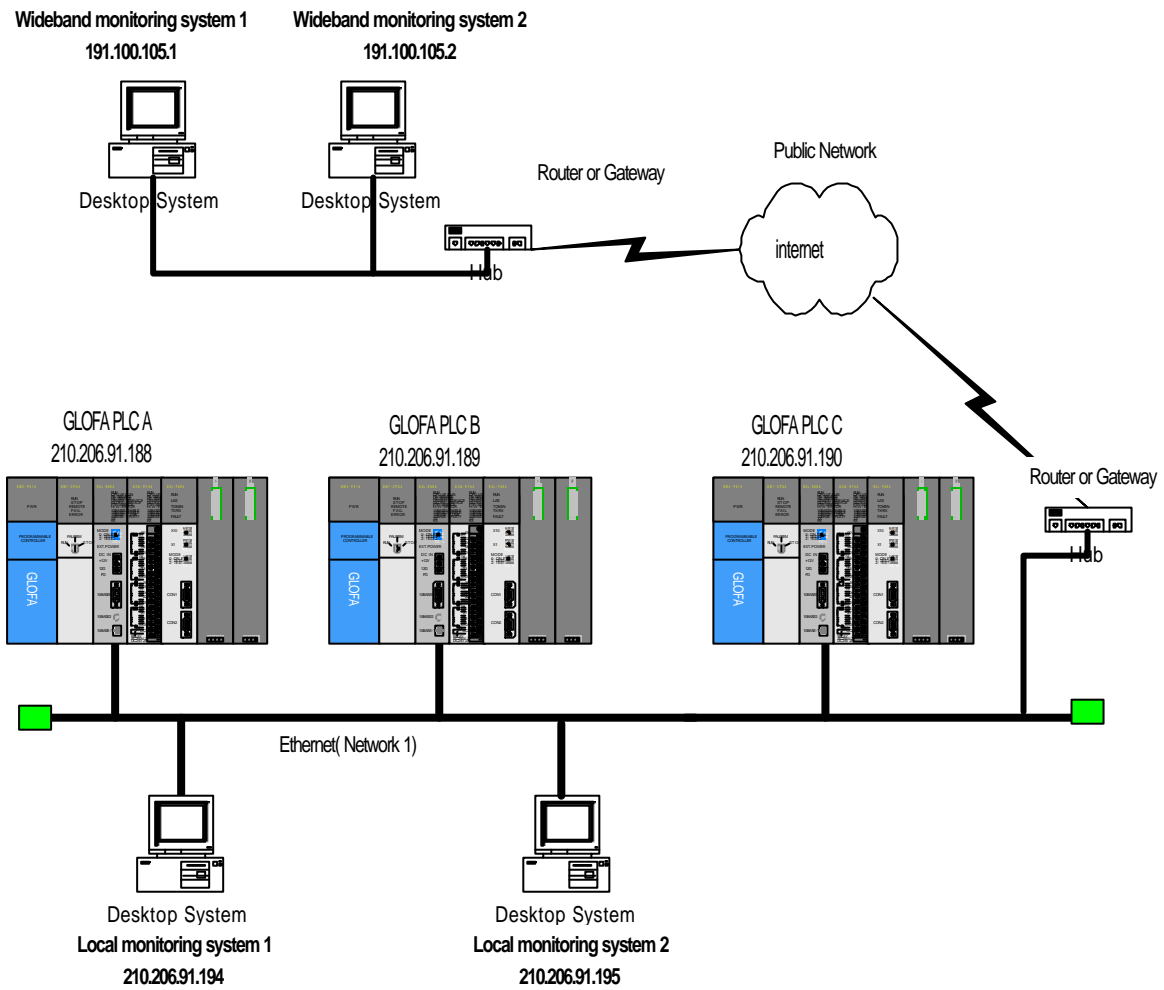
[Figure 5.2(A)] GLOFA PLC Ethernet System



[Figure 5.2(B)] GLOFA PLC Ethernet System (Dedicated Network)

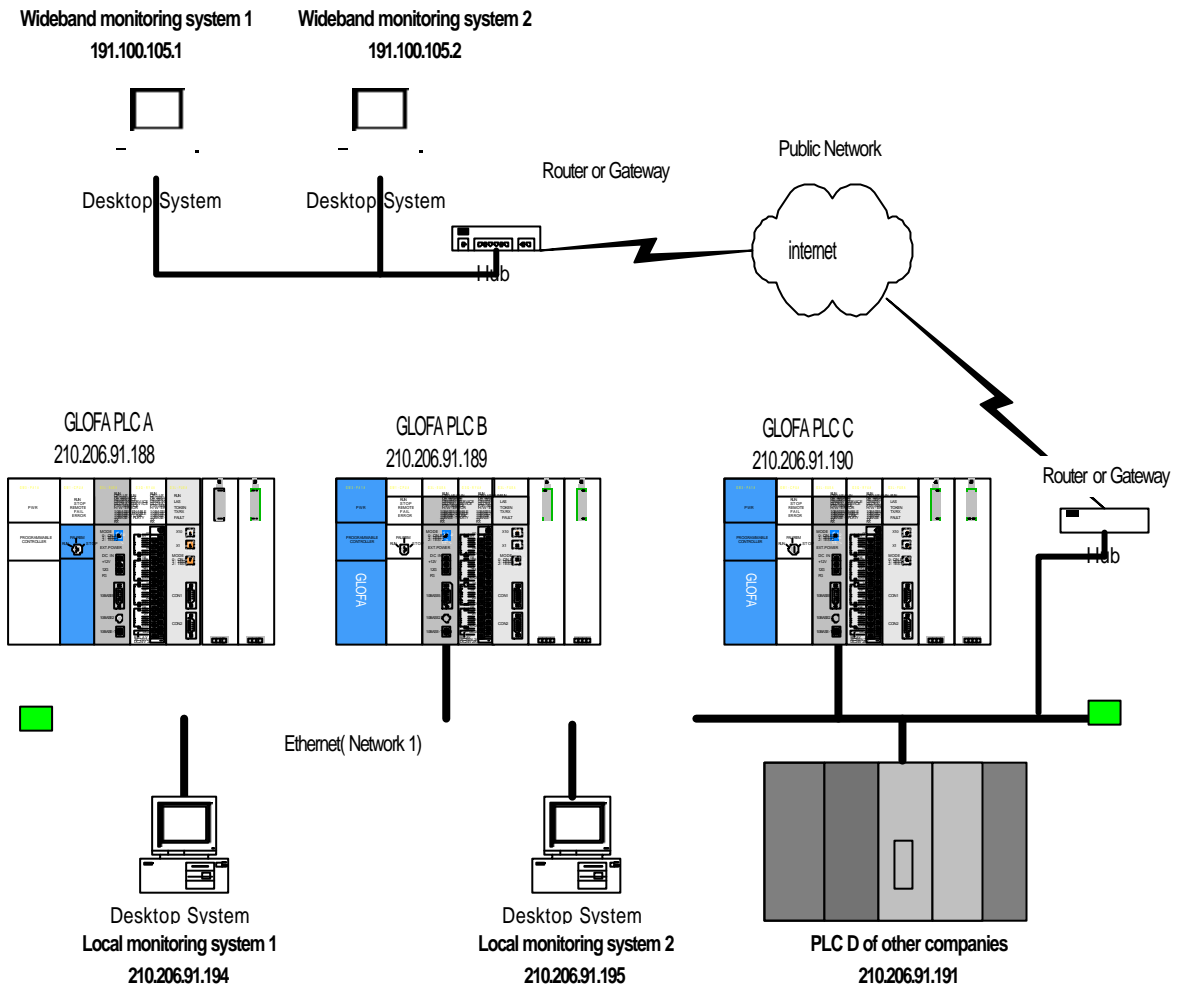


[Figure 5.2(C)] GLOFA PLC Ethernet System (Dedicated Network + Other company)



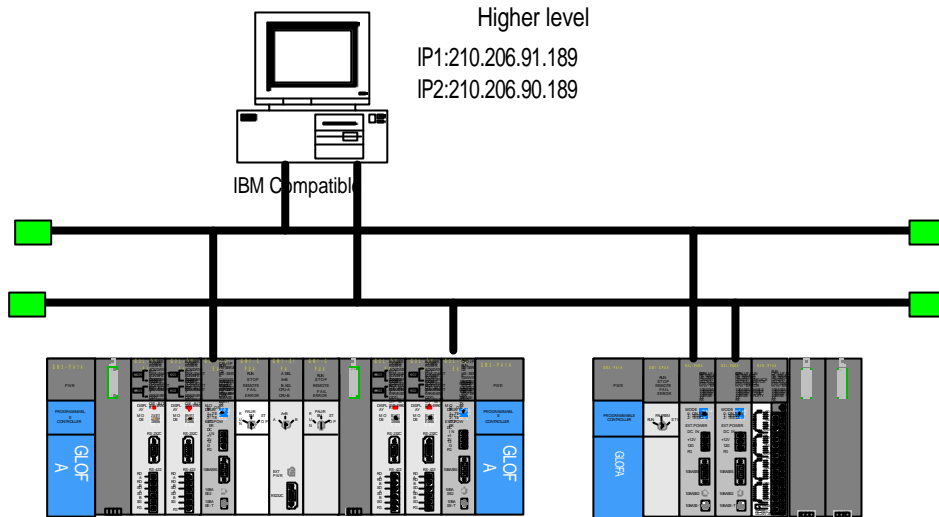
[Figure 5.2(D)] GLOFA PLC Ethernet System (Public Network + Dedicated Network)

Chapter 5 System Configuration

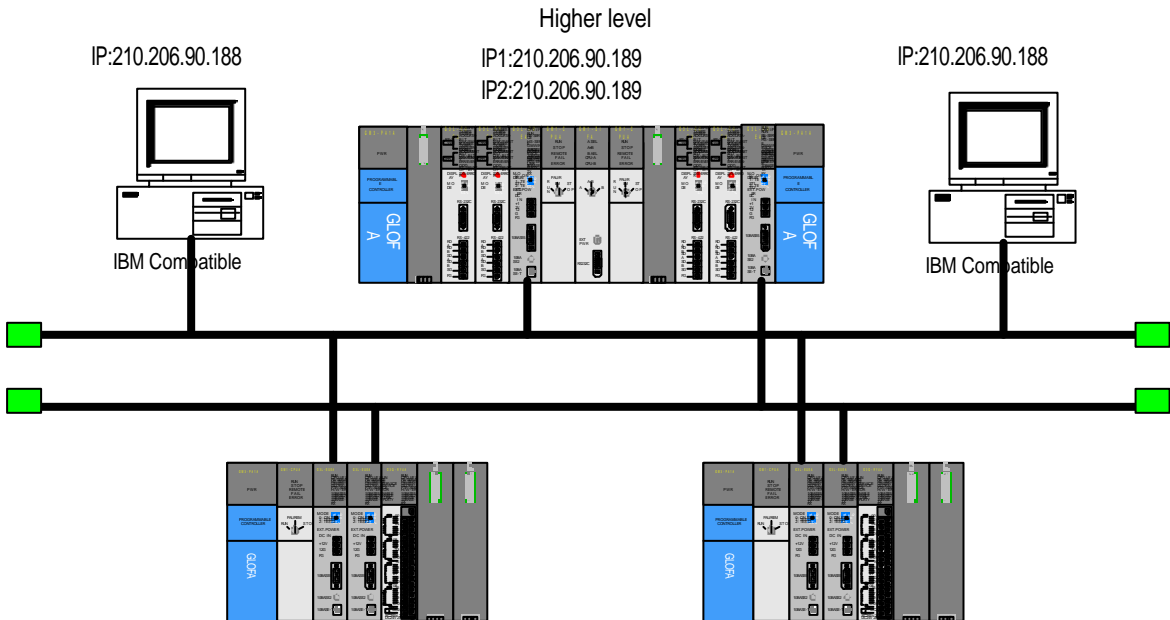


[Figure 5.2(E)] GLOFA PLC Ethernet System (Public Network + Dedicated Network + Other company)

5.3 GLOFA PLC Ethernet Redundancy System

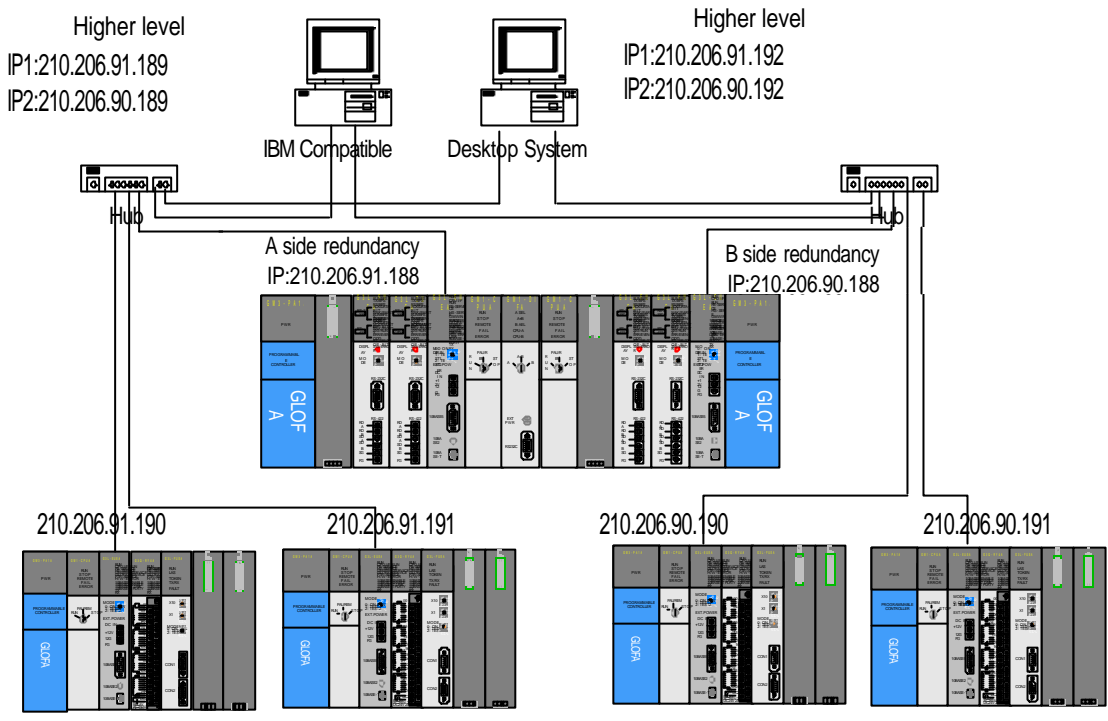


[Figure 5.3(A)] GLOFA PLC Ethernet Redundancy System 1 (MMI + Dedicated Network)



[Figure 5.3(A)] GLOFA PLC Ethernet Redundancy System 2 (MMI + Dedicated Network)

Chapter 5 System Configuration



[Figure 5.3(C)] GLOFA PLC Ethernet Redundancy System 3 (MMI + Dedicated Network)